

Halcyon AMH40

undercounter
GLASSWASHER

halcyon®

Halcyon **AMH40** Features

- **1 year warranty**
- Accurate detergent and rinse aid peristaltic dosing pumps
- Dosing set up by fascia controls
- Easy clean parallel wash and rinse arm assembly
- Optional surface scrap tray filters
- Large three button control



Two 390 x 390mm open cup/
glass racks supplied as standard –
capable of holding 16 pint glasses.

Additional racks can be
purchased at point of order:

Q902303B



Drain pump version
available: **AMH40 D**

Halcyon AMH40

undercounter GLASSWASHER

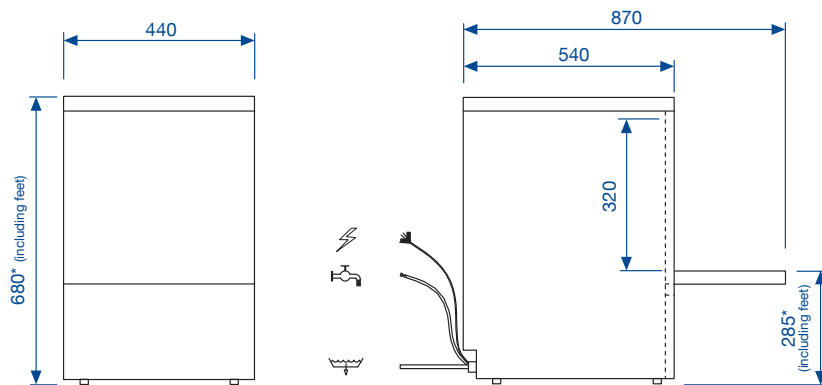


Technical Data

Dimensions (W x D x H)	mm	440 x 540 x 670	Wash tank element	kW	1.4
		+ Feet	Boiler element	kW	2.6
Feet height	mm	10-20	Wash pump	kW	0.18
Rack size	mm	390 x 390	Tank capacity	L	8
Maximum useable height	mm	300	Noise emission	dB(A)	≤ 70
Door opening	mm	320	Packaging Specs		
Theoretical productivity	Racks/h	30	Gross weight	Kg	34
Effective productivity	Racks/h	24*	Cubic volume	m ³	0.25
			Dim. (W x D x H)	mm	520 x 630 x 830

*Allowing 30 seconds for reloading
Cycle times may vary depending on local conditions/services

Installation Diagram – All services must be within 1 meter



*Height-adjustable feet + 10mm

Power Supply

Installed power	AMP	kW
230V – 50Hz – 1N	13*	2.8

*Supplied with 13A moulded plug and lead

- Power**
- Water supply 2 – 4 bar**
- Gravity drain**

Water Connection

Inlet water pressure	Bar	2 to 4
Flow rate L/Min	L/Min	6
Water inlet temp	°C	10 to 50
Water connection	BSP	¾"
Waste connection	Ø	Int 16.8/ext 21.6

Cycle Information

Number of standard cycles		1
Standard cycles times	Sec	120
Special cycle		N/A
Self-cleaning cycle		Partial
Water consumption per cycle	L	2.2
Wash temperature	°C	60
Rinse temperature	°C	65